

Temperature Measurement Devices



Bimetal Thermometers and Thermowells

- Accurate to $\pm 1\%$ of full scale in accordance with ASME B40.200
- Easy-to-read dial sizes with single and dual scales
- Dampened movement for protection against vibration
- Stainless steel construction

Contents

Dampened-Movement Bimetal Thermometers

Features 2
 Technical Data 2
 Materials of Construction 2
 Testing 2
 Dimensions 3
 Ordering Information 3

Thermowells

Features 4
 Technical Data 4
 Dimensions 4
 Ordering Information 6

Additional Products 7

Dampened-Movement Bimetal Thermometers

Swagelok® thermometers are actuated by a bimetal helix coil. Silicone-free gel dampens vibration effects, and cases are hermetically sealed in accordance with ASME B40.200 to prevent fogging and moisture damage to internal components.

Features

- Acrylic, glass, polycarbonate, and safety-glass lenses to meet application requirements
- All-welded 304 stainless steel construction standard; 316 stainless steel process connection and stem available
- Adjustable-angle, center-back, and lower-back mount process connections
- External adjustment for field calibration
- 50 % over- and under-range protection against damage to internal components up to 500°F (260°C)
- Anti-parallax dial for easy reading



Technical Data

Dial

- Temperature measurement ranges:
 - -100 to 150° through 200 to 1000°F
 - -70 to 70°C through 100 to 540°C.

Case

- Stem angle adjusts more than 180°; case rotates 360°.
- Maximum ambient operating temperature 200°F (93°C)

Stem

- Stem is welded at tip and process connection.
- Temperature-sensing bimetal helix is carefully sized and tested, heat treated, and aged to relieve inherent stresses and ensure continued accuracy.

Materials of Construction

Component	Material
<i>Stem</i>	304 SS
Case, bezel, staff rod, bellows, bracket, screws	304 SS
Adjustment screw	303 SS
O-ring	Silicone
Dial, pointer	Aluminum
Bimetal element	Varies with temperature range
Dampening media	Silicone-free inert gel
Lens gasket	Neoprene (dial ranges 500°F [260°C] and under); Silicone (dial ranges over 500°F [260°C])
Lens	Acrylic, glass, polycarbonate, or safety glass

Wetted components listed in *italics*.

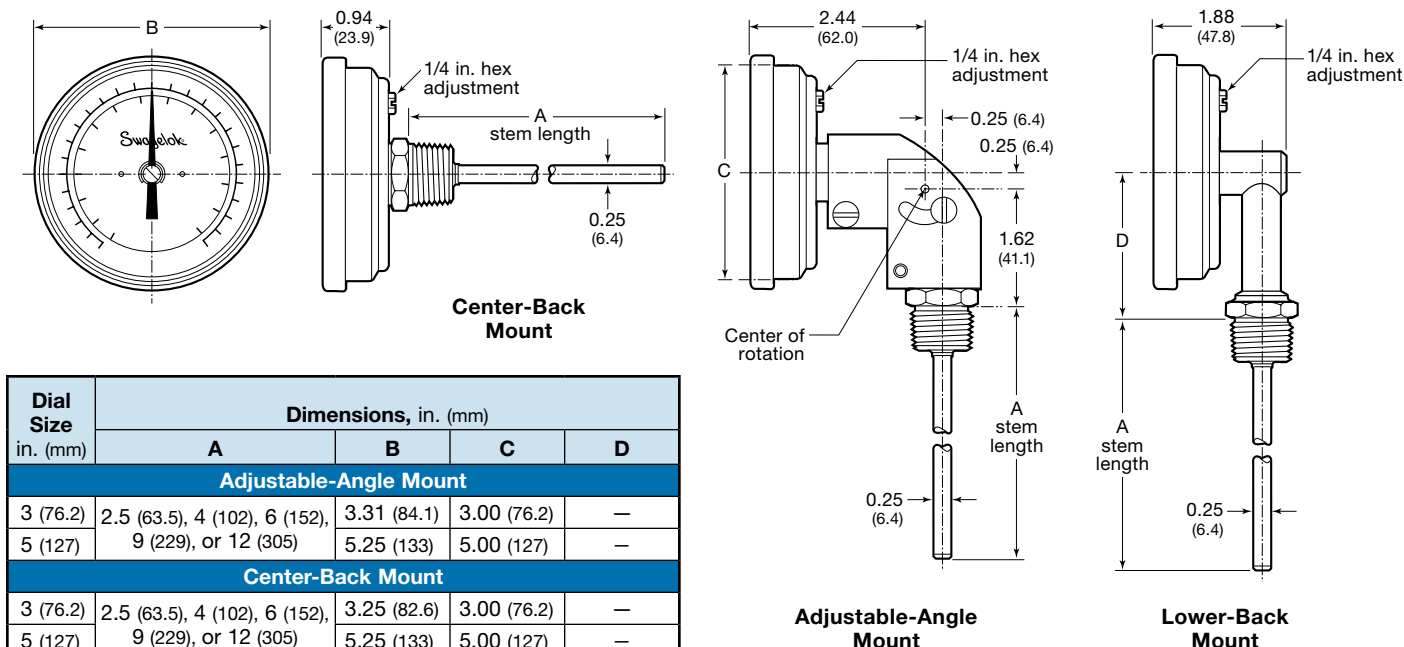
Testing

Every Swagelok dampened-movement bimetal thermometer is factory calibrated to meet ASME B40.200.

Dampened-Movement Bimetal Thermometers

Dimensions

Dimensions, in inches (millimeters), are for reference only and are subject to change.



Dial Size in. (mm)	Dimensions, in. (mm)			
	A	B	C	D
Adjustable-Angle Mount				
3 (76.2)	2.5 (63.5), 4 (102), 6 (152),	3.31 (84.1)	3.00 (76.2)	—
5 (127)	9 (229), or 12 (305)	5.25 (133)	5.00 (127)	—
Center-Back Mount				
3 (76.2)	2.5 (63.5), 4 (102), 6 (152),	3.25 (82.6)	3.00 (76.2)	—
5 (127)	9 (229), or 12 (305)	5.25 (133)	5.00 (127)	—
Lower-Back Mount				
3 (76.2)	2.5 (63.5), 4 (102), 6 (152),	3.25 (82.6)	3.00 (76.2)	1.94 (49.3)
5 (127)	9 (229), or 12 (305)	5.25 (133)	5.00 (127)	2.94 (74.7)

Ordering Information

Build a dampened-movement bimetal thermometer ordering number by combining the designators in the sequence shown below.

1 **2** **3** **4** **5** **6** **7**
T48A - 025 - FS - 01 - G - 8 - NT

1 Dial Size, Mounting

- T48A** = 3 in. (76.2 mm), adjustable angle
- T48C** = 3 in. (76.2 mm), center back
- T48L** = 3 in. (76.2 mm), lower back
- T80A** = 5 in. (127 mm), adjustable angle
- T80C** = 5 in. (127 mm), center back
- T80L** = 5 in. (127 mm), lower back

2 Stem Length

- 025** = 2.5 in. (63.5 mm)
- 040** = 4 in. (102 mm)
- 060** = 6 in. (152 mm)
- 090** = 9 in. (229 mm)
- 120** = 12 in. (305 mm)

3 Scale

- CS** = Celsius
- DS** = Dual Fahrenheit (primary) and Celsius (secondary)
- FS** = Fahrenheit

4 Dial Range

See below.

Dial Ranges

Fahrenheit (°F)	Celsius (°C)	Designator
-100 to 150	-70 to 70	01
-40 to 160	-40 to 70	19
0 to 200	-15 to 90	05
0 to 250	-20 to 120	06
50 to 300	10 to 150	08
50 to 550	10 to 290	16 ^①
150 to 750	65 to 400	11 ^①
200 to 1000	100 to 540	12 ^{①②}

① Dial range not available with silicone liquid fill.
 ② Not recommended for continuous use over 800°F (426°C).

5 Lens Material

- A** = Acrylic
- G** = Glass (standard)
- P** = Polycarbonate
- S** = Laminated safety glass

6 Process Connection

- 8** = 1/2 in. male NPT
- 9** = Male G1/2B

7 Options

- ND** = No dampening
- NT** = NIST-traceable calibration certificate
- SF** = Silicone liquid fill (not available with standard dampening, with glass lens options, or for dial ranges over 500°F [260°C])
- SS** = 316 stainless steel process connection and stem
- UN** = NPT union lock nut

Thermowells

Thermowells are recommended to protect Swagelok dampened-movement bimetal thermometers from damage that could result from contact with pressurized, corrosive, flowing, viscous, or abrasive process fluids. They also enable removal of thermometers for replacement or service without affecting the process or system.



Features

- 304 stainless steel construction standard; 316 stainless steel available
- Accommodate 2.5 through 12 in. (63.5 through 305 mm) thermometer stem lengths in reduced-, straight-, and tapered-shank configurations
- Available with lag extensions for use in insulated piping applications

Technical Data

Instrument Connection

1/2 in. female NPSM straight pipe thread for mechanical joints standard; female G1/2B connection available

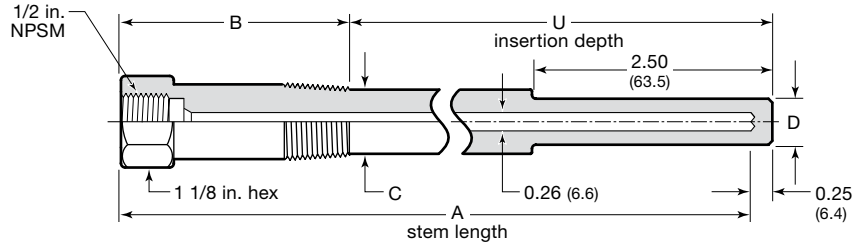
Process Connection

- ASME B16.5 raised-face flange
- 3-A-compliant sanitary Kwik-Clamp
- Threaded (NPT)
- Weld socket

Dimensions

Dimensions, in inches (millimeters), are for reference only and are subject to change. The U dimension is the depth the thermowell is inserted into the fluid system and is specified in the ordering number. See **Ordering Information**, page 6.

Threaded (TWT) Process Connection

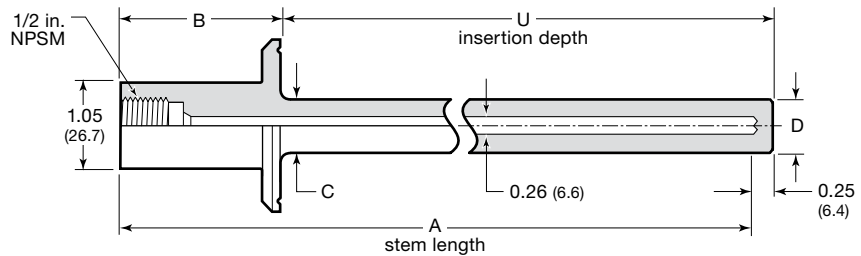


Lag and Reduced Shank Shown

Dimensions, in. (mm)																	
A Stem Length	B		1/2 in. Size						3/4 in. Size								
	No Lag	With Lag	C			D			C			D					
			R	S	T	R	S	T	R	S	T	R	S	T			
2.5 (63.5) 4 (102)		—	0.50 (12.7)		—			—	0.50 (12.7)		—						
6 (152)	1.75 (44.4)	3.75 (95.2)	0.62 (15.7)	0.62 (15.7)	0.50 (12.7)	0.62 (15.7)	0.50 (12.7)	0.75 (19.0)	0.62 (15.7)	0.88 (22.4)	0.50 (12.7)	0.62 (15.7)	0.62 (15.7)				
9 (229) 12 (305)		4.75 (121)															

R denotes reduced shank; S denotes straight shank; T denotes tapered shank.

Kwik-Clamp (TWS) Process Connection



No Lag and Straight Shank Shown

Dimensions, in. (mm)								
A Stem Length	B		C			D		
	No Lag	With Lag	R	S	T	R	S	T
4 (102)		—	0.50 (12.7)		—			—
6 (152)	1.75 (44.4)	3.75 (95.2)	0.75 (19.0)	0.50 (12.7)	0.88 (22.4)	0.50 (12.7)	0.50 (12.7)	0.62 (15.7)
9 (229) 12 (305)		4.75 (121)						

R denotes reduced shank; S denotes straight shank; T denotes tapered shank.

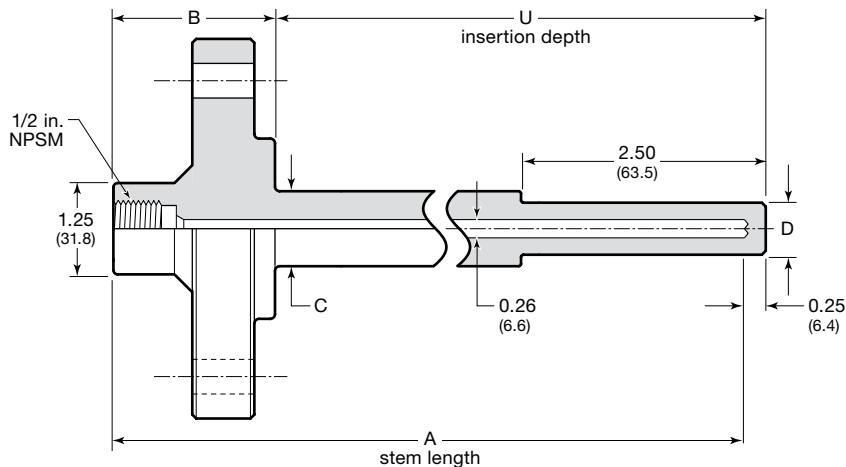
Thermowells

Dimensions

Dimensions, in inches (millimeters), are for reference only and are subject to change.

The U dimension is the depth the thermowell is inserted into the fluid system and is specified in the ordering number. See **Ordering Information**, page 6.

Raised-Face Flange (TWF) Process Connection

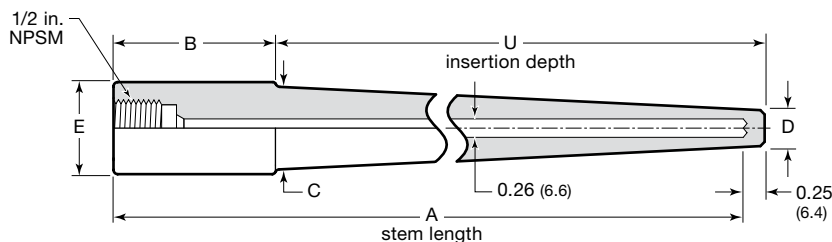


No Lag and Reduced Shank Shown

Dimensions, in. (mm)								
A Stem Length	B		C			D		
	No Lag	With Lag	R	S	T	R	S	T
4 (102)		—			—			—
6 (152)	2.25 (57.2)	4.25 (108)	0.88 (22.4)	0.75 (19.0)	0.88 (22.4)	0.50 (12.7)	0.75 (19.0)	0.62 (15.7)
9 (229) 12 (305)		5.25 (133)						

R denotes reduced shank; S denotes straight shank; T denotes tapered shank.

Weld Socket (TWW) Process Connection

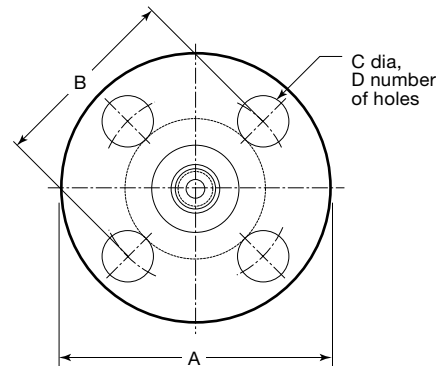


No Lag and Tapered Shank Shown

Dimensions, in. (mm)										
A Stem Length	B		C			D			E	
	No Lag	With Lag	R	S	T	R	S	T	3/4 in. Size	1 in. Size
4 (102)		—			—			—		—
6 (152)	1.75 (44.4)	3.75 (95.2)	0.62 (15.7)	0.75 (19.0)	0.88 (22.4)	0.50 (12.7)	0.75 (19.0)	0.62 (15.7)	1.05 (26.7)	1.35 (34.3)
9 (229) 12 (305)		4.75 (121)								

R denotes reduced shank; S denotes straight shank; T denotes tapered shank.

Flange Dimensions



ASME Class 150

Nominal Flange Size in.	Dimensions in. (mm)			Mounting Holes
	A	B	C	
1	4.25 (108)	3.12 (79.2)	0.62 (15.7)	4
1 1/2	5.00 (127)	3.88 (98.6)	0.62 (15.7)	
2	6.00 (152)	4.75 (121)	0.75 (19.0)	

ASME Class 300

Nominal Flange Size in.	Dimensions in. (mm)			Mounting Holes
	A	B	C	
1	4.88 (124)	3.50 (88.9)	0.75 (19.0)	4
1 1/2	6.12 (155)	4.50 (114)	0.88 (22.4)	4
2	6.50 (165)	5.00 (127)	0.75 (19.0)	8

⚠ Qualified personnel should perform welding.

Thermowells

Ordering Information

Build a thermowell ordering number by combining the designators in the sequence shown below.

1 2 3 4 5 6 7
TWF - 110 - R - 1 - L - 2.00 - CS

1 Process Connection

TWF = ASME B16.5 raised-face flange
TWS = Sanitary clamp
TWT = Threaded
TWW = Weld socket

2 Process Connection Size

TWF Process Connection

110 = 1 in. ASME class 150
115 = 1 1/2 in. ASME class 150
120 = 2 in. ASME class 150
310 = 1 in. ASME class 300
315 = 1 1/2 in. ASME class 300
320 = 2 in. ASME class 300

TWS Process Connection

C15 = 1 1/2 in. Kwik-Clamp
C20 = 2 in. Kwik-Clamp

TWT Process Connection

008 = 1/2 in. male NPT
012 = 3/4 in. male NPT

TWW Process Connection

P12 = 3/4 in. pipe
P16 = 1 in. pipe

3 Shank

R = Reduced
S = Straight
T = Tapered^①

^① Tapered shanks are not available for thermowells with U dimensions of 4.00 in. (102 mm) or less.

4 Bore Diameter

1 = 0.260 in. (6.6 mm)

5 Lag Extension

L = Lag extension^①
N = No lag extension

^① Not available for thermometer stems less than 6 in. (152 mm) long. Lag is 2 in. (50.8 mm) for 6 in. (152 mm) thermometer stems and 3 in. (76.2 mm) for thermometer stems longer than 6 in. (152 mm).

6 U Dimension

Connections with Lag Extensions

TWF Process Connection

2.00 = 2.00 in. (50.8 mm) (6 in. stem)
4.00 = 4.00 in. (102 mm) (9 in. stem)
7.00 = 7.00 in. (178 mm) (12 in. stem)

TWS and TWW Process Connections

2.50 = 2.50 in. (63.5 mm) (6 in. stem)
4.50 = 4.50 in. (114 mm) (9 in. stem)
7.50 = 7.50 in. (190 mm) (12 in. stem)

TWT Process Connection

2.50 = 2.50 in. (63.5 mm) (6 in. stem)
4.50 = 4.50 in. (114 mm) (9 in. stem)
7.50 = 7.50 in. (190 mm) (12 in. stem)

Connections with No Lag Extensions

TWF Process Connection

2.00 = 2.00 in. (50.8 mm) (4 in. stem)
4.00 = 4.00 in. (102 mm) (6 in. stem)
7.00 = 7.00 in. (178 mm) (9 in. stem)
10.0 = 10.0 in. (254 mm) (12 in. stem)

TWS and TWW Process Connections

2.50 = 2.50 in. (63.5 mm) (4 in. stem)
4.50 = 4.50 in. (114 mm) (6 in. stem)
7.50 = 7.50 in. (190 mm) (9 in. stem)
10.5 = 10.5 in. (267 mm) (12 in. stem)

TWT Process Connection

1.00 = 1.00 in. (25.4 mm) (2.5 in. stem, 1/2 in. connection)
1.63 = 1.63 in. (41.4 mm) (2.5 in. stem, 3/4 in. connection)
2.50 = 2.50 in. (63.5 mm) (4 in. stem)
4.50 = 4.50 in. (114 mm) (6 in. stem)
7.50 = 7.50 in. (190 mm) (9 in. stem)
10.5 = 10.5 in. (267 mm) (12 in. stem)

7 Options

CS = Protective stainless steel cap and chain
G1 = Female G1/2B instrument connection
SS = 316 stainless steel material

Additional Products

Pressure Gauges

Swagelok pressure gauges are available in a variety of industrial and process models, as well as models designed for use in the sanitary industries.

For more information, see the *Swagelok Pressure Gauges, Industrial and Process—PGI Series* catalog, MS-02-170, and the *Swagelok Pressure Gauges for the Sanitary Industries* catalog, MS-03-10.



Variable Area Flowmeters

Swagelok glass- and metal (armored)-tube variable area flowmeters offer highly accurate measurement with individually calibrated scales.

For more information, see the *Swagelok Variable Area Flowmeters* catalog, MS-02-346.



Tubing Products

Swagelok offers a wide variety of tubing products.

For more information, see these Swagelok catalogs:

- *Stainless Steel Seamless Tubing, Fractional Sizes*, MS-01-153-SCS
- *Stainless Steel Welded Tubing*, MS-01-161-SCS
- *Stainless Steel Tubing, Metric Sizes*, MS-01-157-SCS
- *Stainless Steel Tubing, Imperial Sizes*, MS-01-159-SCS



Flange Adapters

Swagelok flange adapters offer threadless, weldless transition from flanged piping systems to tubing systems. Flange adapters are one-piece integrally machined forged bodies and are available meet ASME, DIN, EN, and JIS standards.

For more information, see the *Swagelok Flange Adapters* catalog, MS-02-200.



Tube Fittings

Swagelok gaugeable tube fittings and adapter fittings are available in sizes from 1/16 to 2 in. and 2 to 50 mm in a wide variety of materials and configurations.

For more information, see the *Swagelok Gaugeable Tube Fittings and Adapter Fittings* catalog, MS-01-140.



Sanitary Fittings

Swagelok offers a variety of sanitary fittings, including Kwik-Clamp end connections, in 304 and 316L stainless steel construction.

For more information, see the *Swagelok Stainless Steel Fittings for the Sanitary Industries* catalog, MS-03-05.



Safe Product Selection

When selecting a product, the total system design must be considered to ensure safe, trouble-free performance. Function, material compatibility, adequate ratings, proper installation, operation, and maintenance are the responsibilities of the system designer and user.

Warranty Information

Swagelok products are backed by The Swagelok Limited Lifetime Warranty. For a copy, visit swagelok.com or contact your authorized Swagelok representative.